
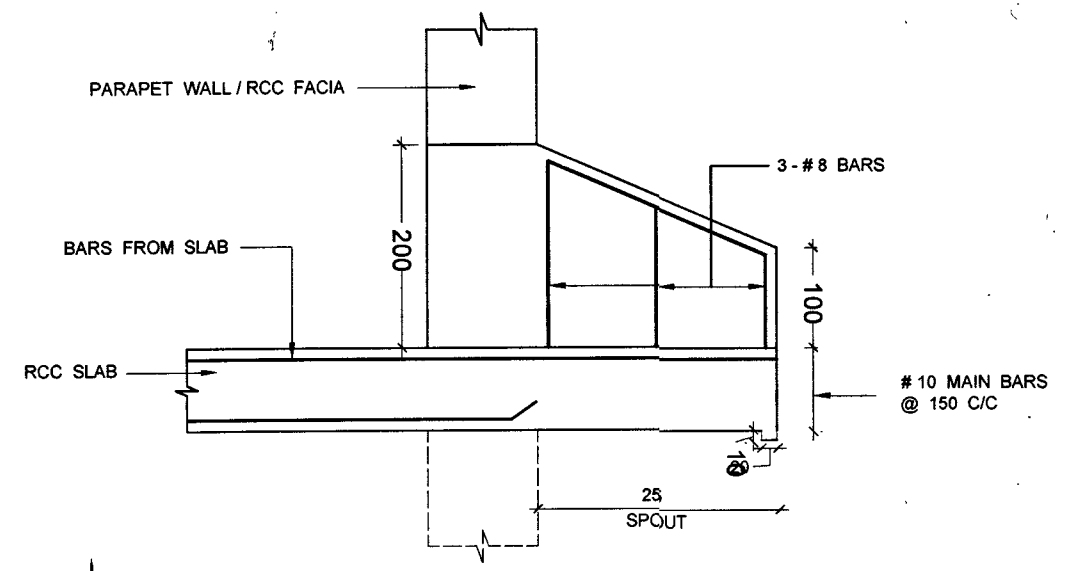
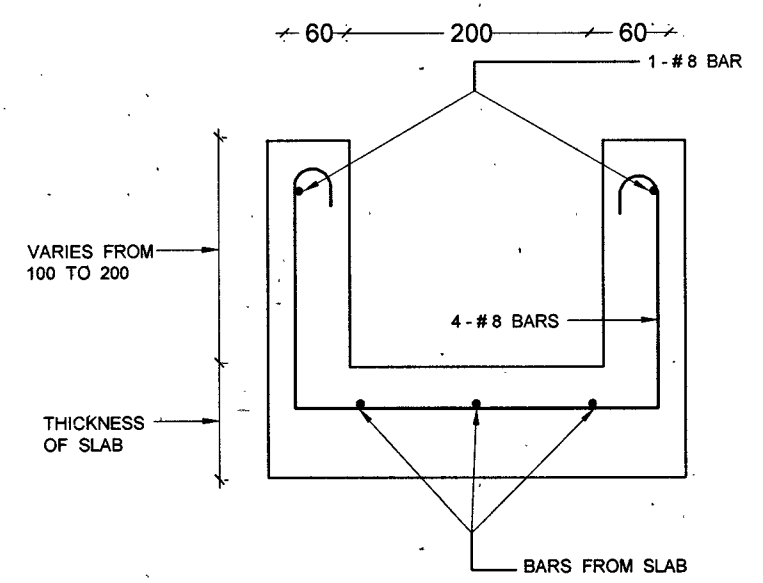


REFERENCE

SNO.	DATE	DESCRIPTION	DY. DIR	DIR(DES)
REVISIONS				
DATE	30 MAY 2024	CHIEF ENGINEER JALANDHAR ZONE		
DRN	POOJA T	TYPICAL R.C.C. DETAILS		
TCD		DETAIL OF SPOUT		
CKD				
SCALE	AS SHOWN			
SHT. SIZE	A3			
 Pooja T DIR (DESIGN) FOR CHIEF ENGINEER		DRG. NO.	SHEET NO.	
			20/34	
		DRG NO CEJZ / STD-422/24		



LONG SECTION



X - SECTION

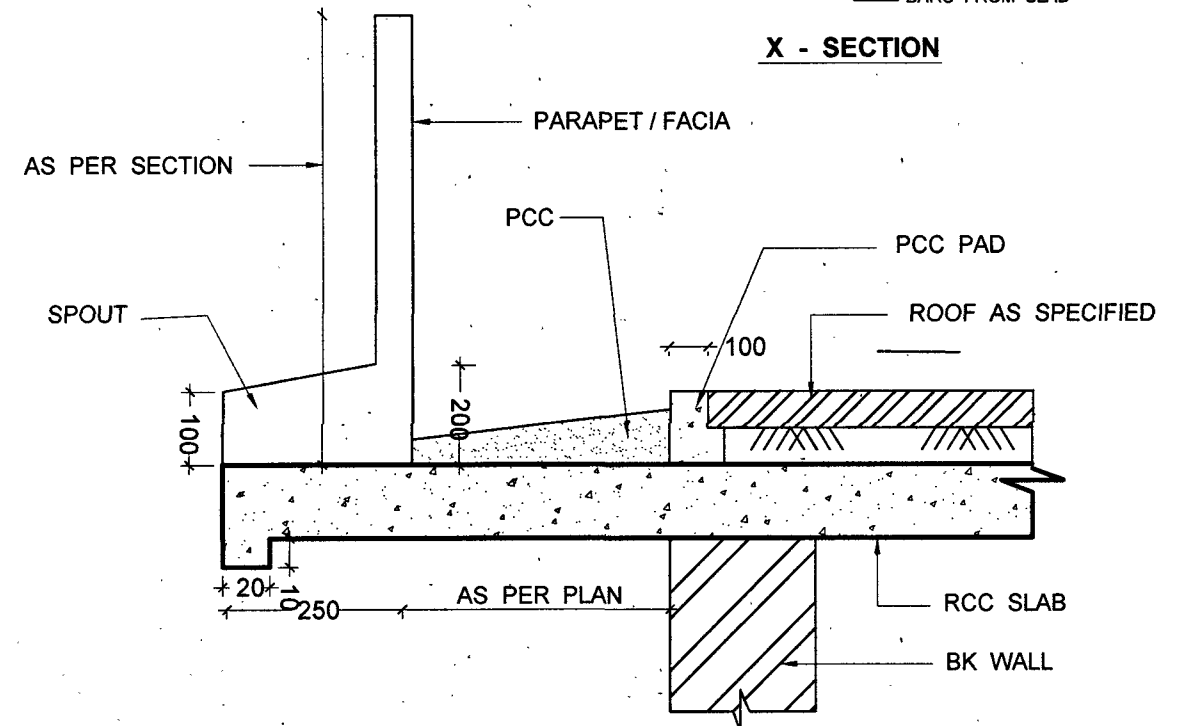


FIG.-34: RCC SPOUT

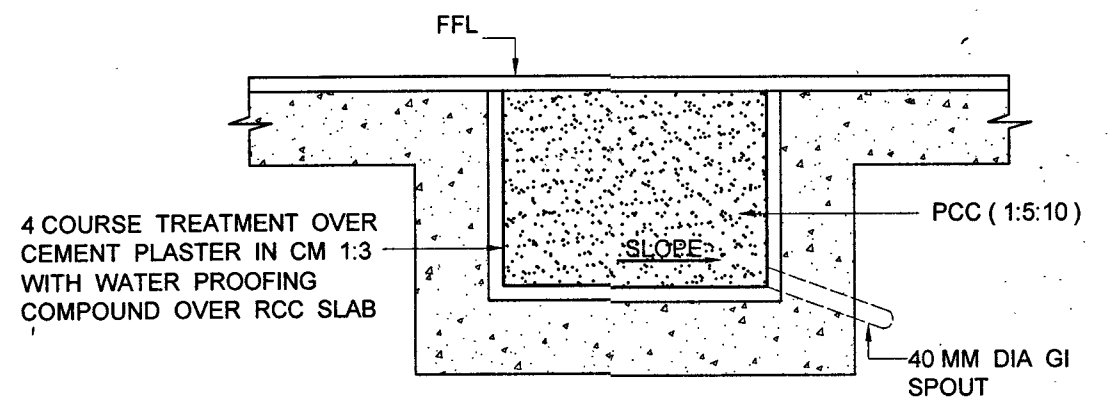


FIG.-35: SUNKEN FLOOR OF TOILET